

DP50

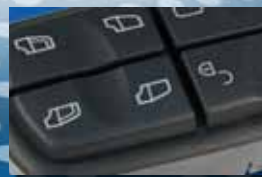
Basic system 50 W

In the field of Nd:YAG lasers, FOBA supplies basic systems with a power range of 15 to 100 Watts.

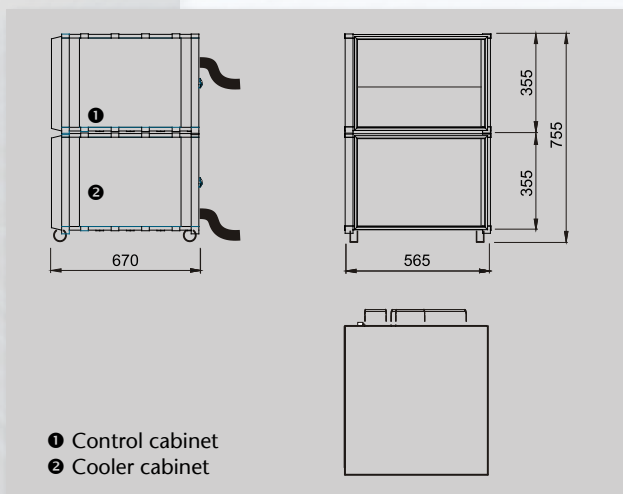
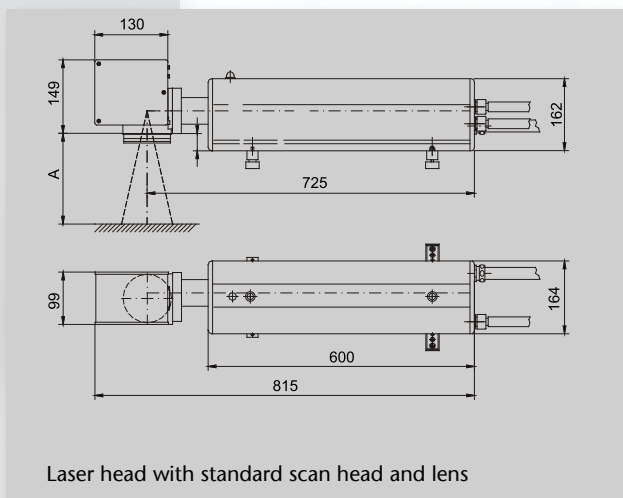
Basic systems are suitable for universal use in machine workplaces, manufacturing lines or special machines.

Advantages

- Output power 50 Watt (CW)
- High laser beam quality
- Compact design means easy integration
- No external cooling water
- Long working life of the laser diodes means little servicing
- Maximum resolution, distortion-free beam guidance



DP 50 Basic system 50 W



System

Marking field	110 x 110 mm ² (f=160 mm)
Marking speed	up to 5000 mm/s up to 500 characters/s
Line width	100 µm (optionally 50 µm)

Laser

Laser type	Nd:YAG, 1064 nm, diode pumped
Power (CW)	typical 50 W
(QS)	typical 15 kW/pulse (10 kHz)
Power stability	+/- 1.5 % (CW) +/- 5 % (QS, up to 8 kHz)
Output modes	Continuous wave operation (CW) Pulsed operation (QS, 0.1 - 65 kHz) Mixed operation (parameterizable)
Pulse energy	10 mJ (1 kHz)
Pulse width	70 ns (1 kHz)
Aperture	8 different diameters

Control

PC	CompactPCI-PC
Operating system	MS Windows XP
Laser control	FOBAGRAF with Import functions of plt/dwg/dxf/ai/jpg/tif/pcx/bmp ...
Interfaces	serial, digital I/O, Ethernet, USB

Installation

Electrical	1/N/PE, AC 230 V, ± 10%, 50/60 Hz
Power consumption	typical 2.3 kW
Cooling	Water/air cooler
Temperature	15 - 40 °C
Humidity	90 % (up to max. 20 °C) 30 % (up to max. 40 °C) non-condensing
Weight	Laser head approx. 21 kg ¹⁾ Control cabinet approx. 60 kg ²⁾ Cooler cabinet approx. 60 kg ²⁾
Degree of protection	Control-/Cooler cabinet IP 43 (IP54 ³⁾) Laser head IP 54
Safety	Class IV Laser

Options

Pointer	Adjustment aid
Scan head	
Changeable lens	100 mm/163 mm/254 mm/420 mm

- ¹⁾ without F-Theta lens
²⁾ with OEM-Components
³⁾ optionally

FOBA®

Laser Marking + Engraving

ALLTEC GmbH
Altenaer Straße 170a
58513 Lüdenscheid
GERMANY

Phone +49 2351 996-0
Fax +49 2351 996-234

info@fobalaser.com
www.foba.de | www.fobalaser.com