

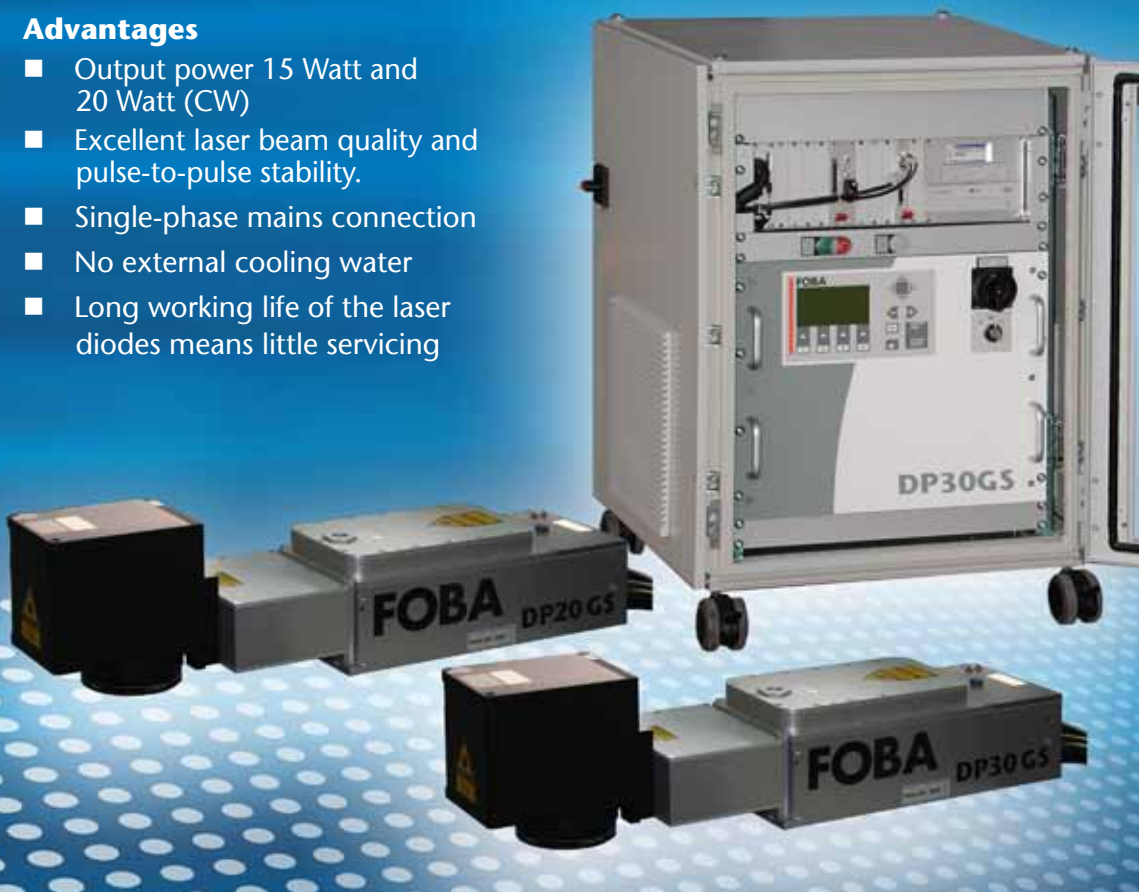
DP20GS/DP30GS

Basic systems 16 W/20 W

The DP20GS and DP30GS end-pumped high-end systems are ideal for use when optimal laser beam quality and performance are required. They are especially suitable in the field of card and passport personalisation, in particular for the marking of ID cards with grey scale images, as well as for lacquer removal to create day and night design.

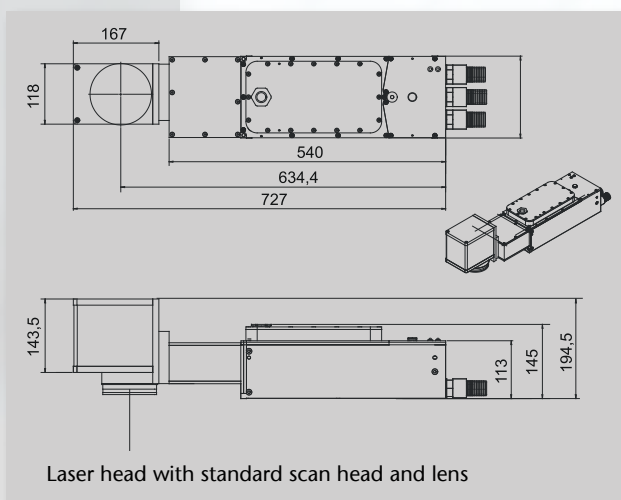
Advantages

- Output power 15 Watt and 20 Watt (CW)
- Excellent laser beam quality and pulse-to-pulse stability.
- Single-phase mains connection
- No external cooling water
- Long working life of the laser diodes means little servicing

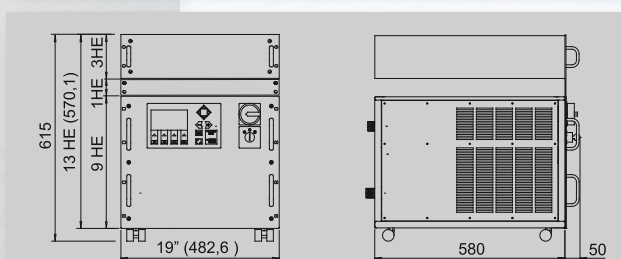


DP 20GS/DP30GS

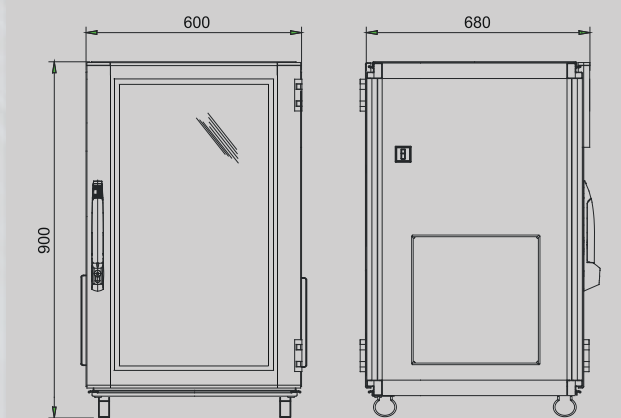
Basic systems 16 W/ 20 W



Laser head with standard scan head and lens



OEM components



Control cabinet

System	DP20GS	DP30GS
Marking field	110 x 110 mm ² (f=160 mm)	
Marking speed	up to 5000 mm/s up to 500 characters/s	
Line width	typically 70 µm	
Laser		
Laser type	Nd:YVO ₄ , 1064 nm, diode pumped	
Power (CW)	typically 16 W	typically 20 W
(QS)	typically 30 kW/pulse (30 kHz)	typically 25 kW/pulse (40 kHz)
Power stability	+/- 1 % (CW) +/- 2 % (QS)	
Output modes	Continuous wave operation (CW) Pulsed operation (QS, 10/25 - 100 kHz) Mixed operation (parameterizable)	
Pulse energy	0.5 mJ (20 kHz)	0.5 mJ (40 kHz)
Pulse width	12 ns (20 kHz)	20 ns (40 kHz)
Control		
PC	CompactPCI-PC	
Operating system	MS Windows XP	
Laser control	FOBAGRAF with Import functions of plt/dwg/dxf/ai/jpg/tif/pcx/bmp ...	
Interfaces	serial, digital I/O, Ethernet, USB	
Installation		
Electrical	1/N/PE, AC 230 V, ± 10%, 50/60 Hz	
Power consumption	typically 1.6 kW	
Cooling	internal water/air cooler	
Temperature	15 - 40 °C	
Humidity	90 % (up to max. 20 °C) 30 % (up to max. 40 °C) non-condensing	
Weight	Laser head approx. 15 kg ¹⁾ OEM components approx. 80 kg Control cabinet approx. 150 kg ²⁾	
Degree of protection	Control cabinet IP54 Laser head IP 54	
Safety	Class IV Laser	
Options		
Marking on the fly	for marking moving workpieces	
19"-Racks	for integration	
Changeable lens	100 mm/163 mm/254 mm/420 mm	
High-speed-scan heads		

¹⁾ without F-Theta lens

²⁾ with OEM components