

C30C/C30A

Basic systems 30 Watt

C-series products, CO₂ vector lasers for industrial use, are available for high-quality laser marking. Mark your products permanently and flexibly, either while stationary or during movement of the product (MOTF), and you benefit from innovative technology from a single source.

Advantages

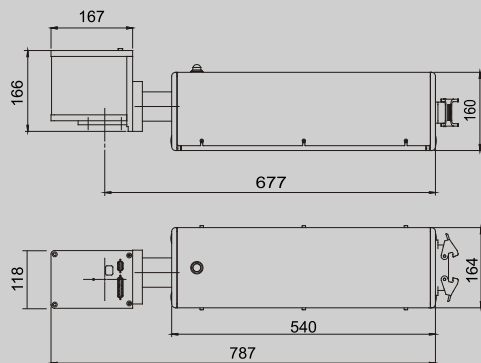
- Designed for high line speeds (=short cycle times)
- Minimal servicing and maintenance costs
- Windows-based operator interface with graphics preview
- Ultra-easy integration in production plants and open interfaces



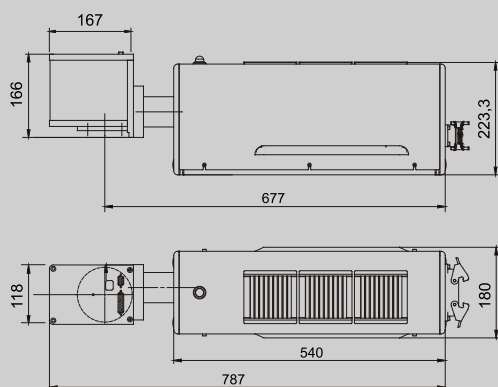
C30C/C30A

Basic systems 30 Watt

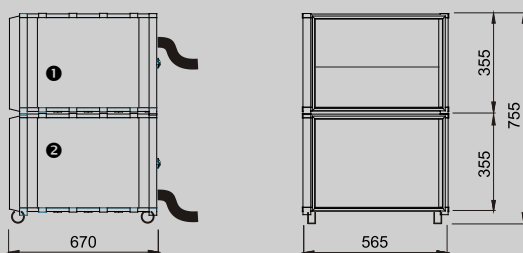
C30C water-cooled



C30A air-cooled



Laser head with standard scan head and lens



- ❶ Control cabinet C30C/C30A
- ❷ Cooler cabinet C30C

System

Marking field	140 x 140 mm ² (f=200 mm)
Marking speed	up to 400 m/min up to 1000 characters/s
Line width	200 µm (optionally 100 µm)

Laser

Laser type	Sealed-off CO ₂ -Laser, 10600 nm
Power (CW)	typical 30 W
Power stability	+/- 5 % (CW)
Output modes	Continuous wave operation (CW) Pulsed operation (QS, 0.4 - 20 kHz)
Life time	approx. 30,000 h expected

Control

PC	CompactPCI-PC
Operating system	MS Windows XP
Laser control	FOBAGRAF with Import functions of plt, dwg, dxf, ai, jpg, tif, pcx, bmp ...
Interfaces	serial, digital I/O, Ethernet, USB Product timing sequence, speed recognition

Installation

Electrical	1/N/PE, AC 230 V, ± 10%, 50/60 Hz
Power consumption	typical 1.2 kW ¹⁾ / 1.0 kW ²⁾
Cooling	Water/air cooler ¹⁾ Air ²⁾
Temperature	15 - 38 °C
Humidity	90 % (up to max. 20 °C) 30 % (up to max. 38 °C) non-condensing
Weight	Laser head approx. 15 kg ³⁾ Control cabinet approx. 60 kg ¹⁾²⁾⁴⁾ Cooler cabinet approx. 60 kg ¹⁾⁴⁾
Degree of protection	Control-/Cooler cabinet IP 43 (IP54 ⁵⁾) Laser head IP 54/IP43 ²⁾
Safety	Class IV Laser

Options

Marking on the fly	for marking moving workpieces
Changeable lens	100 mm/ 250 mm/ 300 mm/ 435 mm
Suction filter	

- ¹⁾ C30C water-cooled
- ²⁾ C30A air-cooled
- ³⁾ without F-Theta lens
- ⁴⁾ with OEM-Components
- ⁵⁾ optionally

FOBA®

Laser Marking + Engraving

ALLTEC GmbH
Altenaer Straße 170a
58513 Lüdenscheid
GERMANY

Phone +49 2351 996-0
Fax +49 2351 996-234

info@fobalaser.com
www.foba.de | www.fobalaser.com